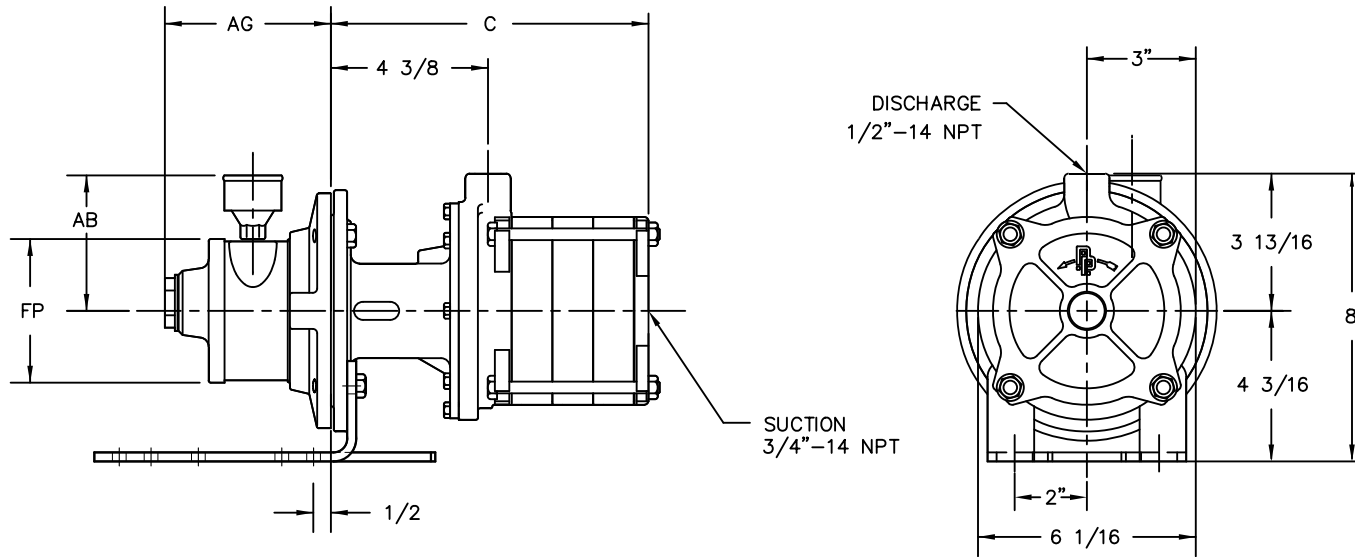


DESCRIPTION  
MS50-SS CLOSE COUPLED AIR MOTOR PUMP ASSEMBLY

REF. NO.  
O-MSAIR

DATE  
8/31/07

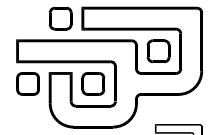
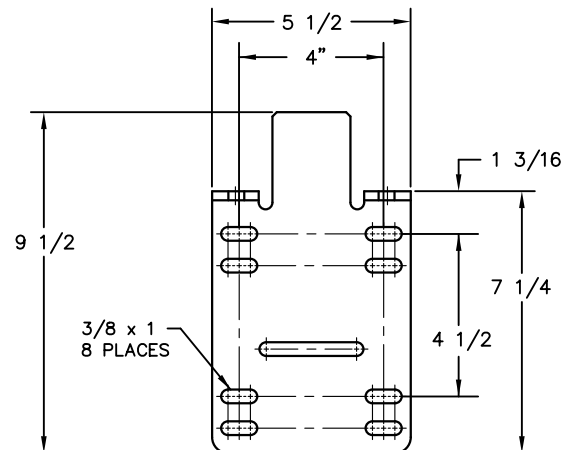
REV.  
B



MODEL NO.	MOTOR END DIMENSIONS		
	AG	FP	AB
2AM-NCC-43A	3 3/4	4"	3 3/4
4AM-NRV-50C	4 5/8	4"	3 3/4
6AM-NRV-11A	6 3/16	5"	2 1/16

NOTE:  
MOTOR DIMENSIONS WILL VARY BY MODEL AND MAKE,  
DIMENSIONS ARE TO BE USED FOR REFERENCE ONLY.

PUMP LENGTH: (IN INCHES)		
MODEL	STAGES	C
1MS50-SS-33	1 STAGE	5 3/8
2MS50-SS-75	2 STAGE	6 1/2
3MS50-SS-100	3 STAGE	7 5/8
4MS50-SS-150	4 STAGE	8 3/4
5MS50-SS-200	5 STAGE	9 7/8
6MS50-SS-300	6 STAGE	11



PRICE PUMP CO.

FACTORY FAX TRANSMITTAL DRAWING

#1 Pump Way P.O. Box Q  
Sonoma, CA 95476 (707) 938-8441  
707-FAX 938-0764

NOTE: ALL DIMENSIONS ARE ROUNDED TO THE NEAREST 1/8 INCH.