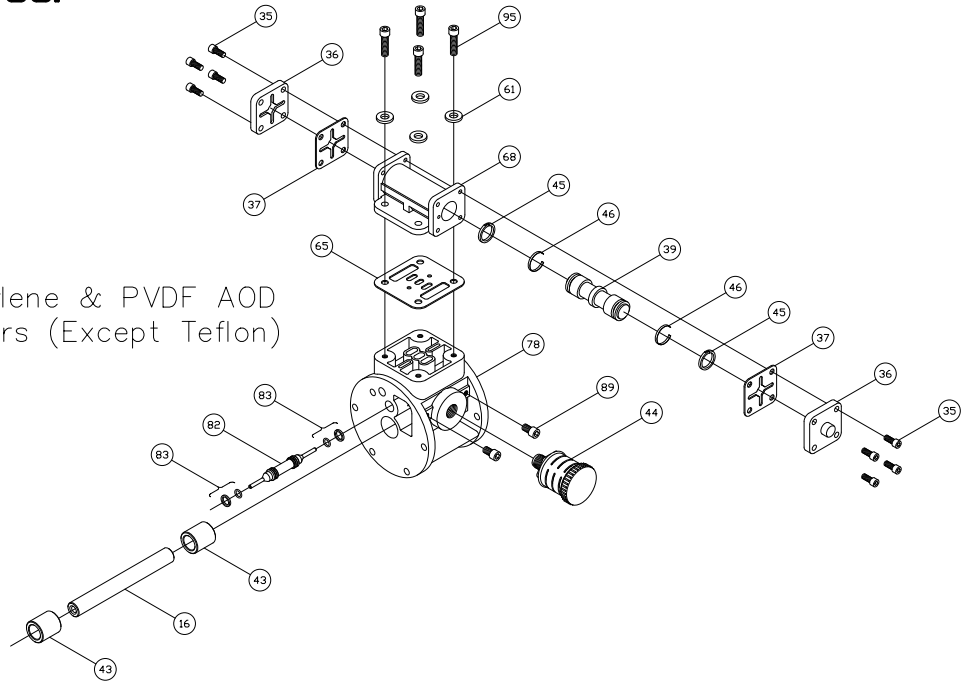


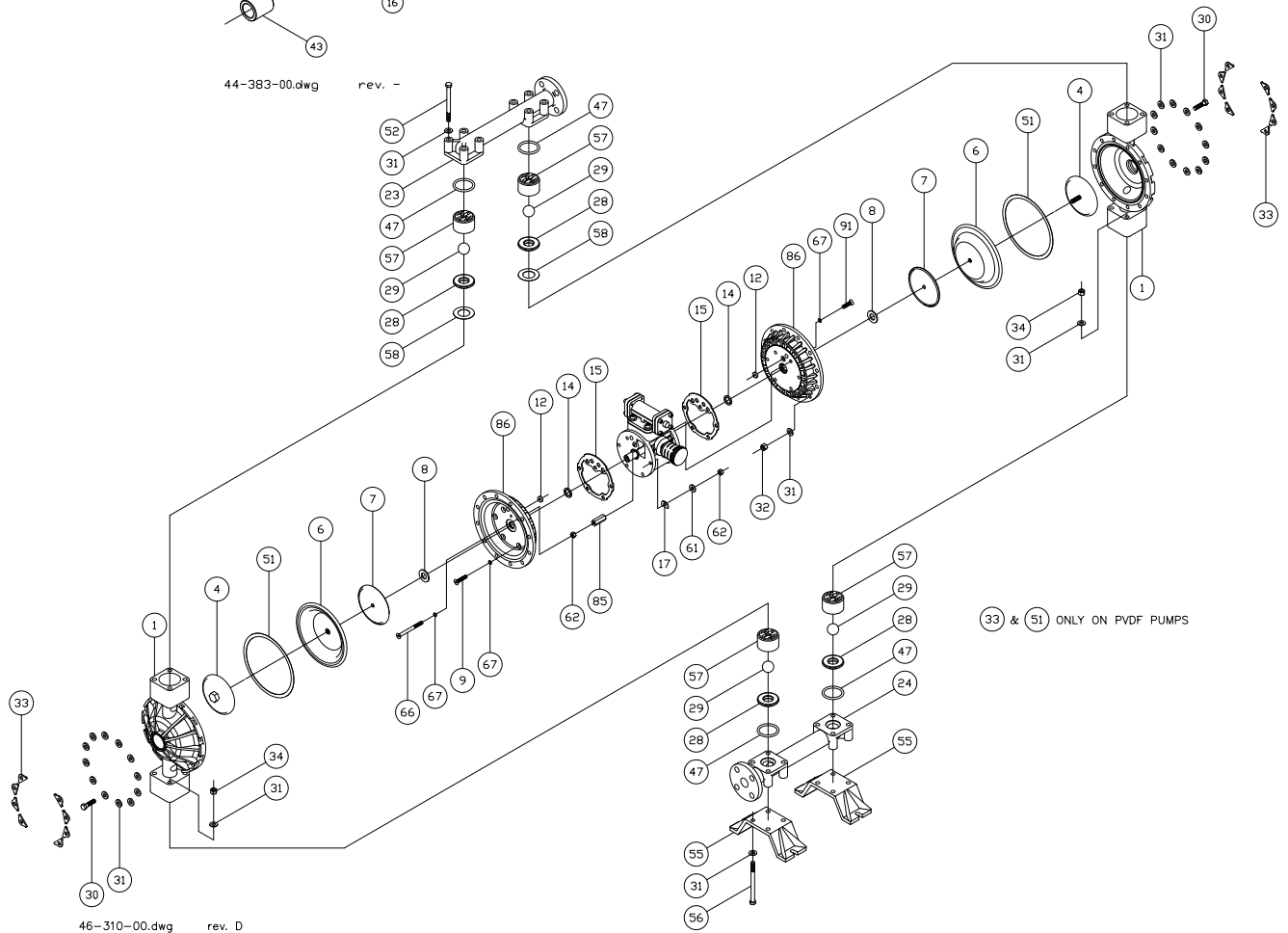


PRICE PUMP CO.

1" Polypropylene & PVDF AOD
All Elastomers (Except Teflon)



44-383-00.dwg rev. -



33 & 51 ONLY ON PVDF PUMPS

46-310-00.dwg rev. D

Price® Pump Co.

21775 Eighth Street East * Sonoma, CA 95476-0329 * (707) 938-8441 * Fax (707) 938-0764



1" AOD Polypropylene & PVDF Parts List

(All Elastomers Except Teflon)

PRICE® PUMP CO.

AOD1Pplist.doc rev. -

Key #	Description	Quantity	Part #	Material
1	Chamber, Pump	2	45-745-□□	Customer Preference
4	Plate, Diaphragm (outer)	2	46-044-□□	Customer Preference
6	Diaphragm	2	44-208-**	Customer Preference
7	Plate, Diaphragm (Inner)			
	- Models using Santoprene	2	45-430-10	Aluminum
	- Models using other	2	46-851-00	Stainless Steel
8	Bumper	2	44-151-00	Polyurethane
9	Cap Screw	10	51-750-00	Stainless Steel
12 +	Seal	2	44-431-00	Molythane
14 +	Seal	2	44-432-00	Molythane
15 +	Gasket, Air Valve / Chamber	2	46-564-□□	Rubber
16	Shaft, Pump	1	44-211-00	Steel - Nitrided
17	"D" Flat Washer	10	47-370-00	Stainless Steel
23	Manifold, Discharge	1	45-746-□□	Customer Preference
24	Manifold, Suction	1	45-746-□□	Customer Preference
28	Seat, Ball Valve	4	45-748-□□	Customer Preference
29	Ball Valve	4	44-212-**	Customer Preference
30	Cap Screw	24	60-024-00	Stainless Steel
31	Flat Washer			
	- Polypropylene Pumps	80	52-128-43	Stainless Steel
	- PVDF Pumps	64	52-128-43	Stainless Steel
32	Hex, Nut	24	60-061-00	Steel-Zinc
33	"D" Flat Washer (PVDF Pumps Only)	16	47-371-00	Stainless Steel
34	Hex, Nut	16	60-069-00	Stainless Steel
35	Cap Screw, Socket Head	8	51-640-00	Steel - Zinc Plated
36	Cap, Spool, Air Valve	2	45-743-40	Aluminum
37 +	Gasket, Cap	2	45-728-00	Polyurethane
39 +	Spool, Air Valve	1	47-196-00	Phenolic
43 +	Sleeve, Bushing	2	44-186-00	Bronze
44 +	Muffler	1	44-284-66	Polypropylene
45 +	Piston Ring, Air Valve	2	44-427-00	Phenolic
46 +	Ring, Expander, Air Valve	2	44-537-00	Stainless Steel
47	O-Ring			
	-Models using Santoprene	4	45-101-00	Teflon
	-Models using other	4	46-336-**	Customer Preference
51	Gortex Tape (PVDF pumps only)			
	- Models Not using Santoprene	2	60-001-00	Teflon
52	Cap Screw	8	60-027-00	Stainless Steel
55	Foot, Mounting	2	45-747-□□	Customer Preference
56	Cap Screw	8	60-028-00	Stainless Steel
57	Cage, Ball Valve	4	45-749-□□	Customer Preference
58	Gasket	2	46-263-00	Teflon Gortex
61	Flat Washer	14	60-053-00	Stainless Steel
62	Hex Nut	11	51-743-00	Stainless - Zinc Plated
65 +	Gasket, Air Valve / Spool	1	47-348-00	Polyurethane
66	Carriage Bolt	1	51-751-00	Alloy
67	O-ring	12	47-351-00	Buna
68	Housing, Spool	1	46-496-10	Aluminum, Anodized
78	Housing, Air Valve	1	46-495-10	Cyglass
82 +	Pilot Spool, Air Valve	1	47-341-00	Stainless Steel
83 +	Spool Ring Assembly, Air Valve	2	47-463-00	Buna -Phenolic
85	Coupling Nut, Hex	1	46-533-00	Steel - Zinc Plated
86	Chamber, Air	2	46-717-10	Polypropylene-30% Glass
89	Cap Screw	2	60-037-00	Stainless Steel
91	Cap Screw	1	60-036-00	Stainless Steel
95	Cap Screw, Socket Head	4	51-749-00	Stainless Steel
□□	Pump Material:	00 - Polypropylene	80 - PVDF	
	Air Valve Rebuild Kit			
	-Includes All Parts With +	1	47-664-00	
	Elastomer Kit			
	- Polypropylene Pumps	1	46-441-**	
	- PVDF Pumps	1	47-441-**	
	• Models using Santoprene	1	46-441-60	

**Elastomers: 00 - Neoprene 10 - Buna 20 - Viton 30 - Nordel 60 - Santoprene

Price® Pump Co.

21775 Eighth Street East * Sonoma, CA 95476-0329 * (707) 938-8441 * Fax (707) 938-0764